



PRODUCT INFORMATION

Light weight, compact design but with bigger torque.

Material of construction : AL Alloy.

Available in single phase and three phase, 50/60Hz.

Water proof sealing, suitable for outdoor use.

Motor come with over temperature protection device which will cut off electricity supply when over torque (over heat) to prevent motor damage.

F class motor : max. temperature 160°C.

High accuracy machined gear and special planetary design which able to reduce noise to the minimum & with bigger torque.

Very easy manual operation without using and tools.

Control signal : 4 ~ 20 mA / 0 ~ 10V .

Short operating time : 13 to 52 seconds.

Suitable working temperature : -20°C ~ 60°C.

Humidity : < 90 % (25°C).

MODEL & SPECIFICATIONS

Model	Watt	Maximum Output Torque (Nm)						Open / Close Time (Sec.)
		AC24V/50Hz		AC220V/50Hz		AC380V/50Hz		
		On/Off	Modulating	On/Off	Modulating	On/Off	Modulating	
HEA-1	15	20	20	35	26	-	-	13
HEA-2	15	35	35	50	38	-	-	36
HEA-3	15	60	60	80	60	-	-	45
HEA-4	40	60	60	80	60	80	60	19
HEA-5	40	100	100	200	150	220	165	39
HEA-6	90	200	200	400	300	700	525	37
HEA-7	90	250	250	600	450	800	600	52
HEA-8	90	300	300	800	600	1000	750	66
HEA-9	140	420	420	1000	750	1200	900	66
HEA-10-L	375	-	-	-	-	1300	975	52
HEA-11-L	750	-	-	-	-	2500	1875	52
HEA-12-L	1500	-	-	-	-	4500	3375	52
HEA-13-L	2250	-	-	-	-	6000	6000	52
HEA-14-M	375	-	-	-	-	120	90	23RPM
HEA-15-M	750	-	-	-	-	250	177	23RPM
HEA-16-M	1500	-	-	-	-	380	285	23RPM
HEA-17-M	2250	-	-	-	-	740	540	23RPM

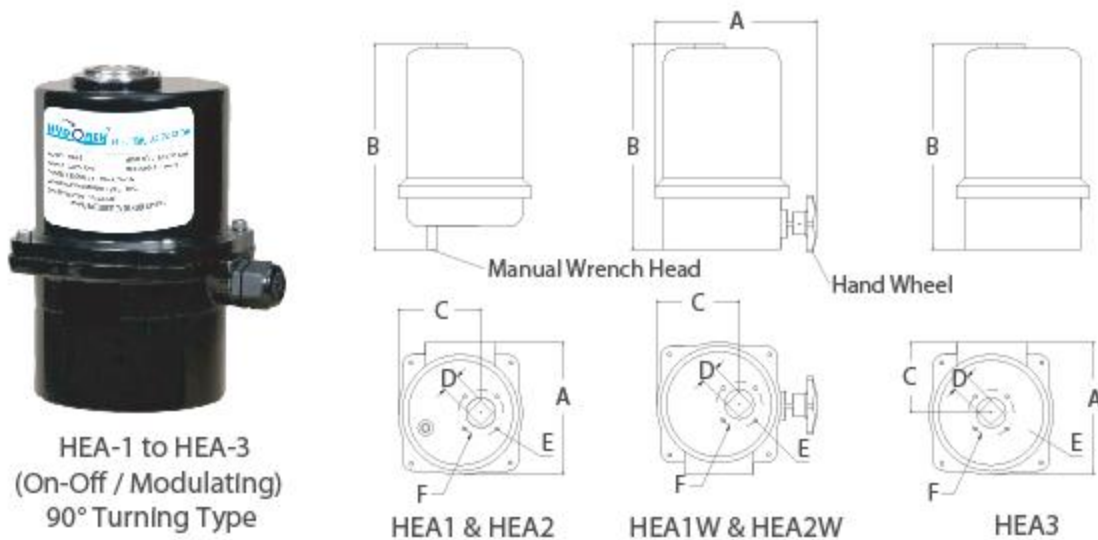
Note :

Standard input / output signal of modulating type is 4 ~ 20mA.

Other control signal like 0 ~ 10V DC or 2 ~ 10 V DC and other are available upon request.

MODEL & SPECIFICATIONS

Model	ISO5211 Standard	Weight Kg	Type
HEA-1	F04/F05	3	With manual wrench operation
HEA-2	F04/F05	3	
HEA-3	F04/F07	3.5	
HEA-4	F07	13	Without manual wrench operation
HEA-5	F07	13	
HEA-6	F10	20	With hand wheel override and planet gears design
HEA-7	F10/F12	20	
HEA-8	F12	20	
HEA-9-	F12	20	
HEA-10-L	F14	76	With hand wheel override and planet gears design
HEA-11-L	F12/F26	76	
HEA-12-L	F16/F25	81	
HEA-13-L	F16/F25	81	
HEA-14-M	F10/F12	60	
HEA-15-M	F10/F12	60	
HEA-16-M	F10/F12	65	
HEA-17-M	F12	65	



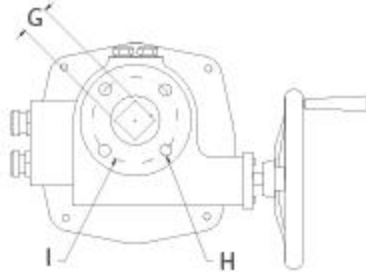
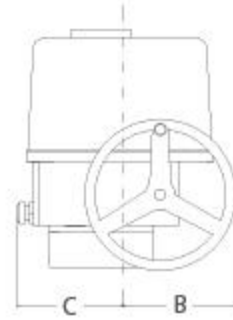
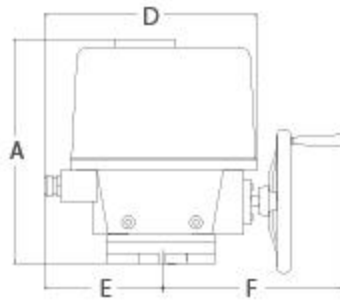
DIMENSION UNIT : mm

Model	A	B	C	D	E	F	Type
HEA1	140	137	119	11 X 11	4 X M6	50	Wrench Head For Manual Operation
HEA2	140	137	119	11 X 11	4 X M6	50	Wrench Head For Manual Operation
HEA1W	170	183	79	11 X 11	4 X M6	50	Hand Wheel For Manual Operation
HEA2W	170	183	79	11 X 11	4 X M6	50	Hand Wheel For Manual Operation
HEA3	140	183	88	17 X 17	4 X M5 4 X M8	50 70	Without Manual Operation

Note : Dimension "F" is suggest square connection. It can be modified by customer which meets ISO 5211 standard, to suit different connection requirement.



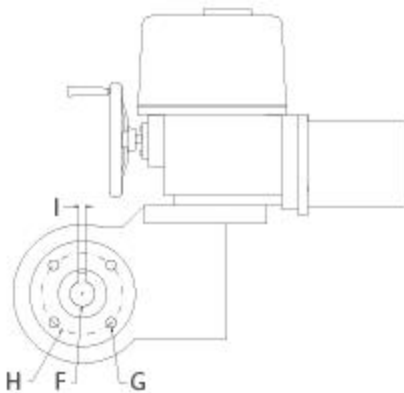
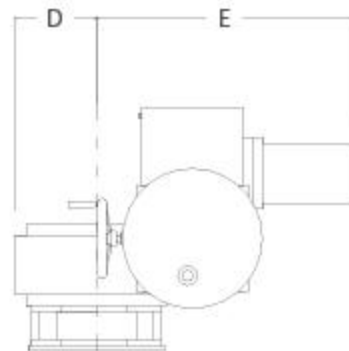
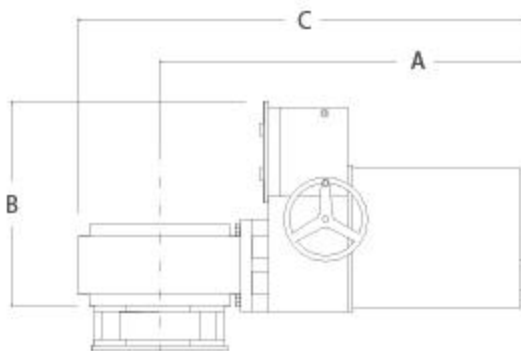
HEA-4 to HEA-9(On-Off / Modulating)
90° Turning Type



DIMENSION UNIT : mm

Model	A	B	C	D	E	F	G	H	ØI
HEA4	243	125	72	213	108	239	14 X 14	4 X M8	70
HEA5	243	125	72	213	108	239	17 X 17	4 X M8	70
HEA6	319	154	98	377	141	251	22 X 22	4 X M10	102
HEA7	319	154	98	377	141	251	22 X 22 27 X 27	4 X M10 4 X M12	102 125
HEA8	319	154	98	377	141	251	27 X 27	4 X M12	125
HEA9	319	154	98	377	141	251	27 X 27	4 X M12	125

Note : Dimension "G" is suggest square connection. It can be modified by customer which meets ISO 5211 standard, to suit different connection requirement.

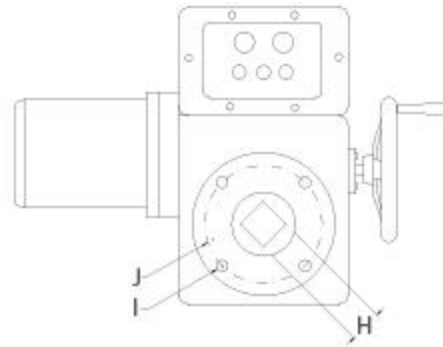
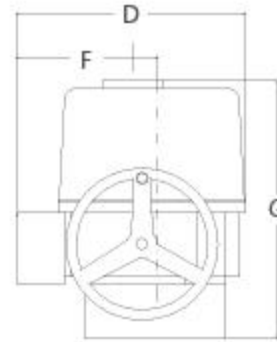
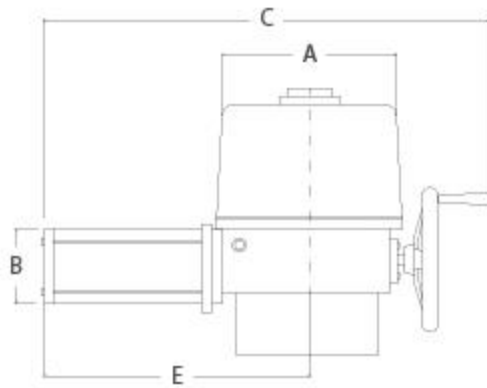


HEA-10-L to HEA-13-L (On-Off / Modulating)
90° Turning Type

DIMENSION UNIT : mm

Model	A	B	C	D	E	F	G	H	I
HEA10-L	449	474	586	137	425	32 X 32	4 X M16	140	10
HEA11-L	449	474	586	137	425	40 X 40	4 X M16 4 X M20	140 165	10
HEA12-L	449	474	586	137	480	50 X 50	4 X M20 8 X M16	165 254	16
HEA13-L	449	474	586	137	480	58 X 58	4 X M20 8 X M16	165 254	20

Note : Dimension "F" is suggest square connection. It can be modified by customer which meets ISO 5211 standard, to suit different connection requirement.



HEA14-M to HEA17-M (On-Off / Modulating) Multi Angle Turning Type

DIMENSION UNIT : mm

Model	A	B	C	D	E	F	G	H	I	ØJ
HEA14-M	234	165	589	252	296	222	446	19 X 19	4 XM10 4 XM12	102 125
HEA15-M	234	165	694	252	296	222	446	19 X 19	4 XM10 4 XM12	102 125
HEA16-M	234	165	699	252	301	222	446	22 X 22	4 XM10 4 XM12	102 125
HEA17-M	234	165	699	252	301	222	446	27 X 27	4 XM12	125

Note : Dimension "H" is suggest square connection. It can be modified by customer which meets ISO 5211 standard, to suit different connection requirement.

ORDERING INFORMATION

For HEA1 ~ HEA9

HEA3 - O - 220
 Model 024 : 24V
 220 : 220V
 380 : 380V
 M : Modulating Type
 O : On/Off type

For HEA10 ~ HEA17

HEA12 - L - O - 3 - 10
 Model 3 phase Motor
 05 : 0.5hp
 10 : 1.0hp
 20 : 2.0hp
 30 : 3.0hp
 L : 90° turn
 M : Multi turn
 M : Modulating Type
 O : On/Off type